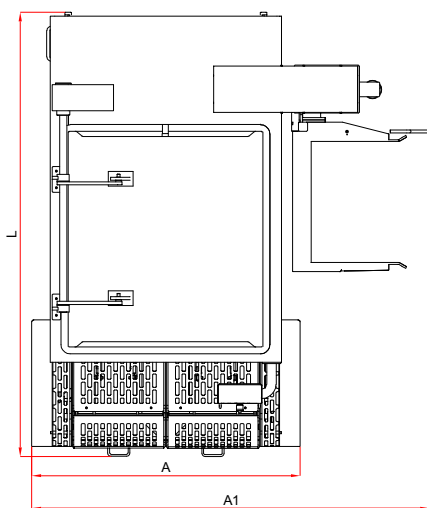
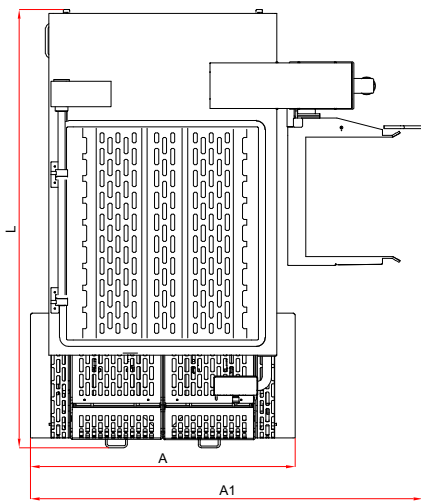
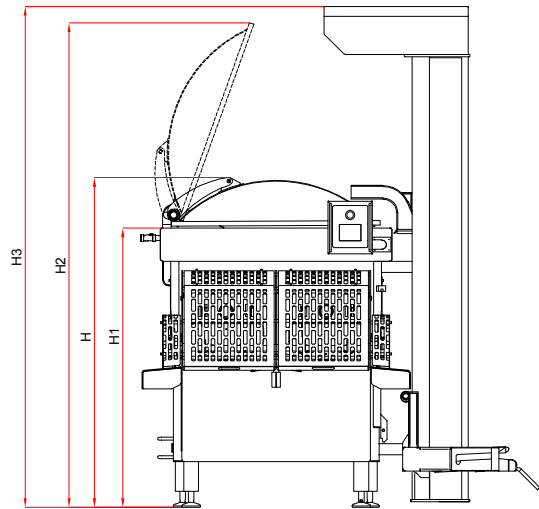
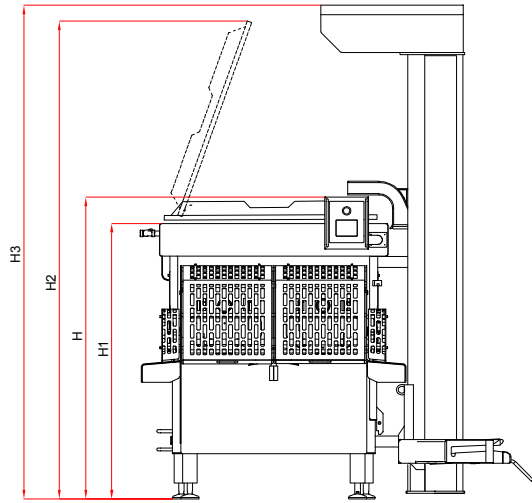


MIX S & MIX SV SERIES SPECIFICATION

MACHINE TYPE [MIX]	500 S	750 S	1000 S	1250 S	1600 S	2100 S	2600 S	3200 S	3800 S	4800 S
	500 SV	750 SV	1000 SV	1250 SV	1600 SV	2100 SV	2600 SV	3200 SV	3800 SV	4800 SV
Total capacity [L]	500	750	1000	1250	1600	2100	2600	3200	3800	4800
Max filling [L]	375	563	750	938	1200	1575	1950	2400	2850	3600
Motor power [kW]	2x3,0	2x5,5	2x5,5	2x5,5	2x7,5	2x11,0	2x11,0	2x15,0	2x15,0	2x22,0
Shaft rotation speed [rpm]	20/40	18/36	16/32	14/28	14/28	13/26	12/24	3-25	2-22	2-22
	5-40	4-36	4-32	4-30	3-28	3/28	3-25			
Standard control										
Mixer net weight [kg]	890	1100	1420	1982	2420	2840	3620	4380	4920	5420
	1020	1320	1620	2070	2820	3320	4170	5020	5890	6570
Busch vacuum pump [m³/h]	-	-	-	-	-	-	-	-	-	-
	21	40	40	40	63	100	100	160	160	200
Fuse [A]	25	32	32	32	40	63	63	100	100	120
Loader option	PZ 2/250	PZ 2/250	PZ 2/250 or PW 2/1000	PZ 2/250 or PW 2/1000	PZ 2/250 or PW 2/1000	PZ 2/250 or PW 2/1000	PZ 2/250 or PW 2/1000	PZ 2/250 or PW 2/1000	PZ 2/250 or PW 2/1000	PZ 2/250 or PW 2/1000
Unloading bin DIN 9797	200L	200L	2x200L	2x200L	2x200L	2x200L	2x200L	2x200L	2x200L	2x200L
	2x200L	2x200L								
Opening/Closing lids										
Required pressure [bar]	6	6	6	6	6	6	6	6	6	6

MODEL OF MACHINES [MIX]	500 S	750 S	1000 S	1250 S	1600 S	2100 S	2600 S	3200 S	3800 S	4800 S
	500 SV	750 SV	1000 SV	1250 SV	1600 SV	2100 SV	2600 SV	3200 SV	3800 SV	4800 SV
Column loader	o	o	o	o	o	o	o	o	o	o
PLC and HMI	S	S	S	S	S	S	S	S	S	S
Smooth variable speed	o	o	o	o	o	o	o	S	S	S
	S	S	S	S	S	S	S			
Temperature sensor	o	o	o	o	o	o	o	o	o	o
Water dosing system	o	o	o	o	o	o	o	o	o	o
Weighing system	o	o	o	o	o	o	o	o	o	o
"Easy Clean" shafts seals	o	o	o	o	o	-	-	-	-	-
	-	-	-	-	-	-	-	-	-	-
Additional grid	-	-	-	-	-	-	-	-	-	-
	o	o	o	o	o	o	o	o	o	o
Polished shafts and bath	o	o	o	o	o	o	o	o	o	o
Double jacket max pressure 2.0 Bar	o	o	o	o	o	o	o	o	o	o
Dust proof sealed lid	o	o	o	o	o	o	o	o	o	o
	S	S	S	S	S	S	S	S	S	S

MIX S & MIX SV SERIES SPECIFICATION



MIX S

MIX SV

MODEL OF MACHINES [MIX]	500 S	750 S	1000 S	1250 S	1600 S	2100 S	2600 S	3200 S	3800 S	4800 S
	500 SV	750 SV	1000 SV	1250 SV	1600 SV	2100 SV	2600 SV	3200 SV	3800 SV	4800 SV
H [cm]	160	163	164	168	191	202	216	233	270	289
H1 [cm]	149	152	153	155	167	174	185	217	240	260
H2 [cm]	245	265	268	289	310	339	349	361	390	428
H3 [cm]	251	271	271	282	300	300	325	358	358	406
L [cm]	200	229	225	243	340	371	373	391	405	436
A [cm]	120	132	145	156	166	182	195	216	221	232
A1 [cm]	190	202	215	226	236	252	365	380	385	395



TECHNICAL DRAWING AND PICTURES ARE FOR REFERENCE PURPOSES ONLY AND MAY DIFFER FROM THE ACTUAL PRODUCT.