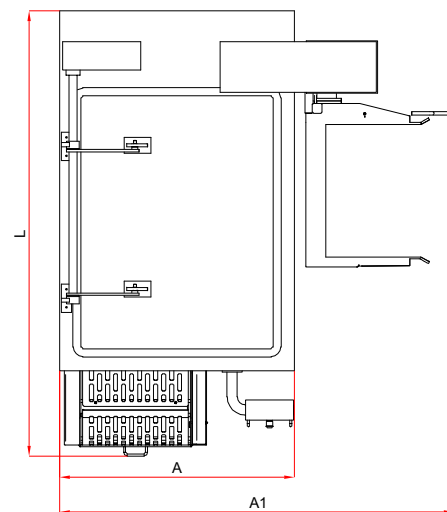
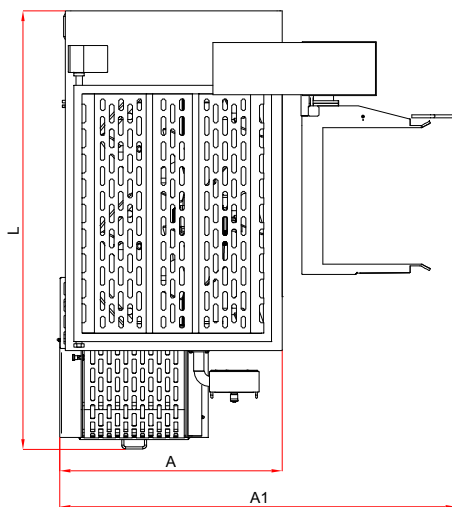
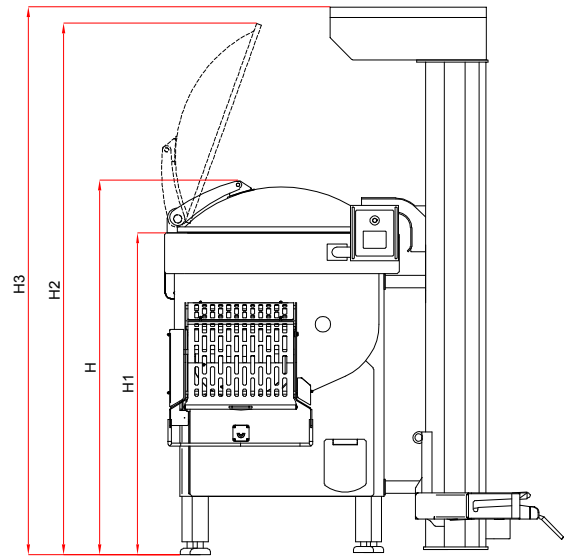
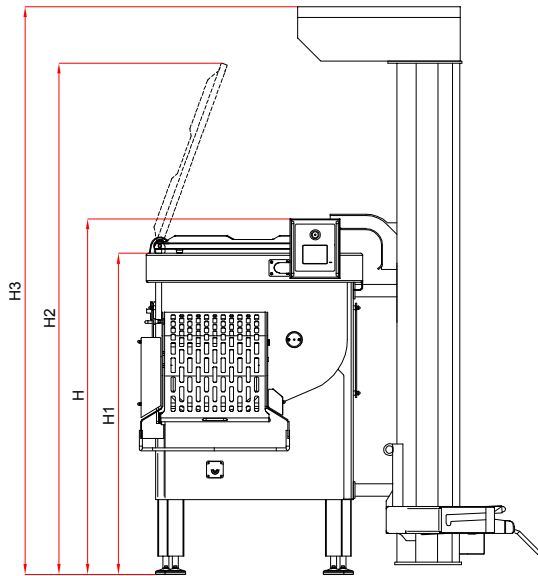


MIX & MIX V SERIES SPECIFICATION

MACHINE TYPE [MIX]	180	300	450	650	900	1200	1500	2000	2400	3000	3600	4500	6000	8000
	180 V	300 V	450 V	650 V	900 V	1200 V	1500 V	2000 V	2400 V	3000 V	3600 V	4500 V	6000 V	8000 V
Total capacity [L]	180	300	450	650	900	1200	1500	2000	2400	3000	3600	4500	6000	8000
Max filling [L]	135	225	338	488	675	900	1125	1500	1800	2250	2700	3375	4500	6000
Motor power [kW]	1,8/2,4 2,5	3,7/4,4 4,0	4,5/5,5 5,5	6,5/8,5 11,0	9,3/11,5 11,0	15,0	15,0	22,0	22,0	30,0	37,0	45,0	45,0	60,0
Shaft rotation speed [rpm]	30/60 6-60	24/48 5-48	20/40 5-40	18/36 4-36	16/32 4-30	15/30 4-30	14/28 3-28	3-25	3-25	2-22	2-22	2-22	2-22	2-22
Standard control														
Mixer net weight [kg]	388 460	520 620	570 720	930 1150	1100 1300	1560 1810	1920 2320	2460 2940	3080 3630	3920 4560	4580 5550	5100 6250	6450 7800	7800 8500
Busch vacuum pump [m³/h]	- 21	- 21	- 21	- 40	- 40	- 63	- 63	- 100	- 100	- 160	- 160	- 205	- 305	- 305
Fuse [A]	16 20	20	20 25	25 50	32 50	63	63	100	100	120	140	160	160	160
Loader option	PZ 2/250	PZ 2/250	PZ 2/250	PZ 2/250	PZ 2/250	PZ 2/250 lub PW 2/1000	PZ 2/250 lub PW 2/1000	PZ 2/250 lub PW 2/1000	PZ 2/250 lub PW 2/1000	PZ 2/250 lub PW 2/1000	PZ 2/250 lub PW 2/1000	PZ 2/250 lub PW 2/1000	PZ 2/250 lub PW 2/1000	PZ 2/250 lub PW 2/1000
Unloading bin DIN 9797	200L 	200L 	200L 	200L 	200L 	1x200L 	1x200L 	2x200L 	2x200L 	2x200L 	2x200L 	BIG BOX 	BIG BOX 	BIG BOX
Opening/Closing lids														
Required pressure [bar]	- 6	- 6	- 6	6	6	6	6	6	6	6	6	6	- 6	- 6

MODEL OF MACHINES [MIX]	180	300	450	650	900	1200	1500	2000	2400	3000	3600	4500	6000	8000
	180 V	300 V	450 V	650 V	900 V	1200 V	1500 V	2000 V	2400 V	3000 V	3600 V	4500 V	6000 V	8000 V
Column loader	<input type="checkbox"/>	<input type="checkbox"/>	<input type="checkbox"/>	<input type="checkbox"/>	<input type="checkbox"/>	<input type="checkbox"/>	<input type="checkbox"/>	<input type="checkbox"/>	<input type="checkbox"/>	<input type="checkbox"/>	<input type="checkbox"/>	<input type="checkbox"/>	<input type="checkbox"/>	<input type="checkbox"/>
PLC and HMI	<input type="checkbox"/>	<input type="checkbox"/>	<input type="checkbox"/>	<input type="checkbox"/>	<input type="checkbox"/>	<input type="checkbox"/>	<input type="checkbox"/>	<input checked="" type="checkbox"/>	<input checked="" type="checkbox"/>	<input checked="" type="checkbox"/>	<input checked="" type="checkbox"/>	<input checked="" type="checkbox"/>	<input checked="" type="checkbox"/>	<input checked="" type="checkbox"/>
Smooth variable speed	<input type="checkbox"/>	<input type="checkbox"/>	<input type="checkbox"/>	<input type="checkbox"/>	<input type="checkbox"/>	<input type="checkbox"/>	<input type="checkbox"/>	<input checked="" type="checkbox"/>	<input checked="" type="checkbox"/>	<input checked="" type="checkbox"/>	<input checked="" type="checkbox"/>	<input checked="" type="checkbox"/>	<input checked="" type="checkbox"/>	<input checked="" type="checkbox"/>
Temperature sensor	<input type="checkbox"/>	<input type="checkbox"/>	<input type="checkbox"/>	<input type="checkbox"/>	<input type="checkbox"/>	<input type="checkbox"/>	<input type="checkbox"/>	<input type="checkbox"/>	<input type="checkbox"/>	<input type="checkbox"/>	<input type="checkbox"/>	<input type="checkbox"/>	<input type="checkbox"/>	<input type="checkbox"/>
Water dosing system	<input type="checkbox"/>	<input type="checkbox"/>	<input type="checkbox"/>	<input type="checkbox"/>	<input type="checkbox"/>	<input type="checkbox"/>	<input type="checkbox"/>	<input type="checkbox"/>	<input type="checkbox"/>	<input type="checkbox"/>	<input type="checkbox"/>	<input type="checkbox"/>	<input type="checkbox"/>	<input type="checkbox"/>
Weighing system	<input type="checkbox"/>	<input type="checkbox"/>	<input type="checkbox"/>	<input type="checkbox"/>	<input type="checkbox"/>	<input type="checkbox"/>	<input type="checkbox"/>	<input type="checkbox"/>	<input type="checkbox"/>	<input type="checkbox"/>	<input type="checkbox"/>	<input type="checkbox"/>	<input type="checkbox"/>	<input type="checkbox"/>
"Easy Clean" shafts seals	<input type="checkbox"/>	<input type="checkbox"/>	<input type="checkbox"/>	<input type="checkbox"/>	<input type="checkbox"/>	<input type="checkbox"/>	<input type="checkbox"/>	<input type="checkbox"/>	<input type="checkbox"/>	<input type="checkbox"/>	<input type="checkbox"/>	<input type="checkbox"/>	<input type="checkbox"/>	<input type="checkbox"/>
Additional grid	<input type="checkbox"/>	<input type="checkbox"/>	<input type="checkbox"/>	<input type="checkbox"/>	<input type="checkbox"/>	<input type="checkbox"/>	<input type="checkbox"/>	<input type="checkbox"/>	<input type="checkbox"/>	<input type="checkbox"/>	<input type="checkbox"/>	<input type="checkbox"/>	<input type="checkbox"/>	<input type="checkbox"/>
Polished shafts and bath	<input type="checkbox"/>	<input type="checkbox"/>	<input type="checkbox"/>	<input type="checkbox"/>	<input type="checkbox"/>	<input type="checkbox"/>	<input type="checkbox"/>	<input type="checkbox"/>	<input type="checkbox"/>	<input type="checkbox"/>	<input type="checkbox"/>	<input type="checkbox"/>	<input type="checkbox"/>	<input type="checkbox"/>
Double jacket max pressure 2.0 Bar	<input type="checkbox"/>	<input type="checkbox"/>	<input type="checkbox"/>	<input type="checkbox"/>	<input type="checkbox"/>	<input type="checkbox"/>	<input type="checkbox"/>	<input type="checkbox"/>	<input type="checkbox"/>	<input type="checkbox"/>	<input type="checkbox"/>	<input type="checkbox"/>	<input type="checkbox"/>	<input type="checkbox"/>
Dust proof sealed lid	<input type="checkbox"/>	<input type="checkbox"/>	<input type="checkbox"/>	<input type="checkbox"/>	<input type="checkbox"/>	<input type="checkbox"/>	<input type="checkbox"/>	<input type="checkbox"/>	<input type="checkbox"/>	<input type="checkbox"/>	<input type="checkbox"/>	<input type="checkbox"/>	<input type="checkbox"/>	<input type="checkbox"/>

MIX & MIX V SERIES SPECIFICATION



MIX

MIX V

MODEL OF MACHINES [MIX]	180 V	300V	450 V	650 V	900 V	1200 V	1500 V	2000 V	2400 V	3000 V	3600 V	4500 V	6000 V	8000 V
H [cm]	140	152	162	177	186	191	205	223	240	252	264	294	315	345
H1 [cm]	125	133	142	153	160	165	177	190	206	212	224	250	250	273
H2 [cm]	188	207	226	250	264	281	301	328	346	362	388	422	430	448
H3 [cm]	226	251	251	271	271	282	282	325	325	358	358	438	438	448
L [cm]	172	180	195	228	221	243	265	311	350	370	402	443	455	465
A [cm]	78	86	100	110	113	129	137	162	188	191	200	208	218	246
	85	93			118	131	141							
A1 [cm]	158	166	180	190	193	291	217							
	165	173			198	211	221	242	359	361	374	378	388	545



TECHNICAL DRAWING AND PICTURES ARE FOR REFERENCE PURPOSES ONLY AND MAY DIFFER FROM THE ACTUAL PRODUCT.