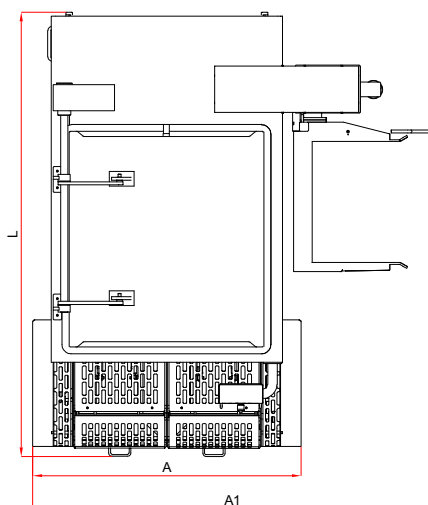
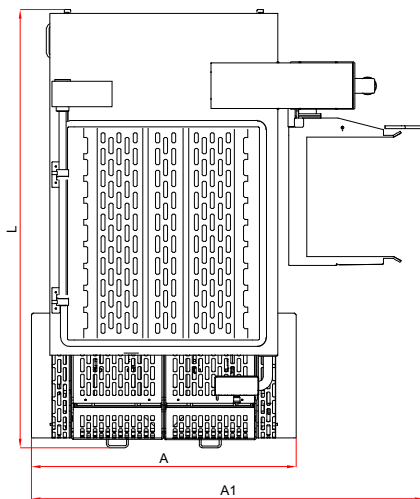
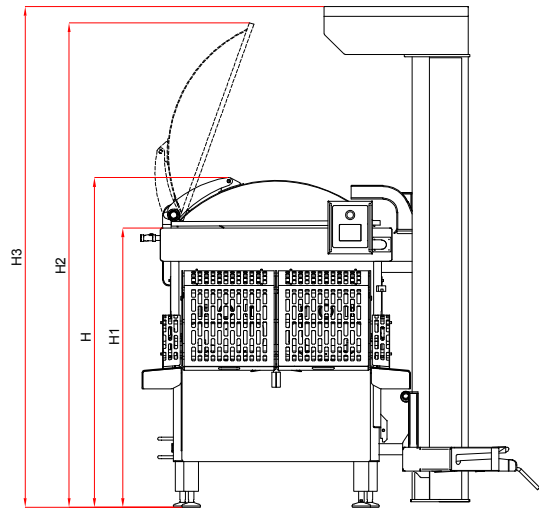
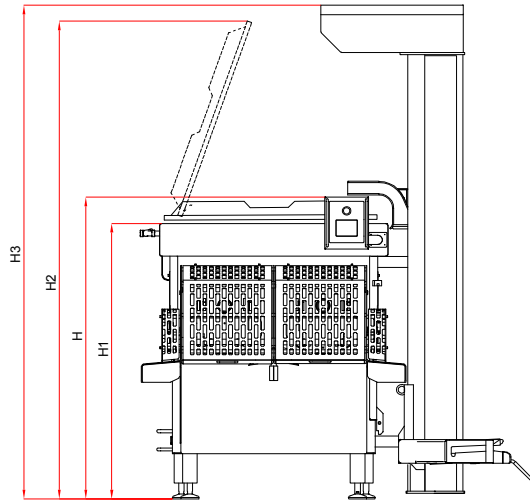


# MIX S & MIX SV SERIEN SPEZIFICATION

| MASCHINENTYP<br>[MIX]                               | 500 S                  | 750 S                  | 1000 S                  | 1250 S                  | 1600 S                  | 2100 S                  | 2600 S                  | 3200 S                  | 3800 S                  | 4800 S                  |
|---|------------------------|------------------------|-------------------------|-------------------------|-------------------------|-------------------------|-------------------------|-------------------------|-------------------------|-------------------------|
|   | 500 SV                 | 750 SV                 | 1000 SV                 | 1250 SV                 | 1600 SV                 | 2100 SV                 | 2600 SV                 | 3200 SV                 | 3800 SV                 | 4800 SV                 |
| <b>Gesamtkapazität [L]</b>                          | 500                    | 750                    | 1000                    | 1250                    | 1600                    | 2100                    | 2600                    | 3200                    | 3800                    | 4800                    |
| <b>Max füllung [L]</b>                              | 375                    | 563                    | 750                     | 938                     | 1200                    | 1575                    | 1950                    | 2400                    | 2850                    | 3600                    |
| <b>Motorleistung [kW]</b>                           | 2x3,0                  | 2x5,5                  | 2x5,5                   | 2x5,5                   | 2x7,5                   | 2x11,0                  | 2x11,0                  | 2x15,0                  | 2x15,0                  | 2x22,0                  |
| <b>Stufenlose Drehzahlregelung der Wellen [rpm]</b> | 20/40                  | 18/36                  | 16/32                   | 14/28                   | 14/28                   | 3/28                    | 3-25                    | 3-25                    | 2-22                    | 2-22                    |
| <b>Standardsteuerung</b>                            |                        |                        |                         |                         |                         |                         |                         |                         |                         |                         |
| <b>Mischer Nettogewicht [kg]</b>                    | 890                    | 1100                   | 1420                    | 1982                    | 2420                    | 2840                    | 3620                    | 4380                    | 4920                    | 5420                    |
| <b>Busch vakuumpumpe [m³/h]</b>                     | -                      | -                      | -                       | -                       | -                       | -                       | -                       | -                       | -                       | -                       |
|   | 2                      | 40                     | 40                      | 40                      | 63                      | 100                     | 100                     | 160                     | 160                     | 200                     |
| <b>Sicherung [A]</b>                                | 25                     | 32                     | 32                      | 32                      | 40                      | 63                      | 63                      | 100                     | 100                     | 120                     |
| <b>Beschickung option</b>                           | PZ 2/250               | PZ 2/250               | PZ 2/250 oder PW 2/1000 | PZ 2/250 oder PW 2/1000 | PZ 2/250 oder PW 2/1000 | PZ 2/250 oder PW 2/1000 | PZ 2/250 oder PW 2/1000 | PZ 2/250 oder PW 2/1000 | PZ 2/250 oder PW 2/1000 | PZ 2/250 oder PW 2/1000 |
| <b>Entladen Standard-Füllwagen DIN9797</b>          | <br>200L<br><br>2x200L | <br>200L<br><br>2x200L | <br>2x200L              | <br>2x200L              | <br>2x200L              | <br>2x200L              | <br>2x200L              | <br>2x200L              | <br>2x200L              | <br>2x200L              |
| <b>Deckel öffnen/Schließen</b>                      |                        |                        |                         |                         |                         |                         |                         |                         |                         |                         |
| <b>Erforderlicher Druck [bar]</b>                   | 6                      | 6                      | 6                       | 6                       | 6                       | 6                       | 6                       | 6                       | 6                       | 6                       |

| MODELL DER MASCHINEN<br>[MIX]           | 500 S  | 750 S  | 1000 S  | 1250 S  | 1600 S  | 2100 S  | 2600 S  | 3200 S  | 3800 S  | 4800 S  |
|---|--------|--------|---------|---------|---------|---------|---------|---------|---------|---------|
|   | 500 SV | 750 SV | 1000 SV | 1250 SV | 1600 SV | 2100 SV | 2600 SV | 3200 SV | 3800 SV | 4800 SV |
| <b>Mast-Beschickung</b>                 | o      | o      | o       | o       | o       | o       | o       | o       | o       | o       |
| <b>PLC und HMI</b>                      | S      | S      | S       | S       | S       | S       | S       | S       | S       | S       |
| <b>Glatte variable Geschwindigkeit</b>  | o      | o      | o       | o       | o       | o       | o       | S       | S       | S       |
|   | S      | S      | S       | S       | S       | S       | S       |         |         |         |
| <b>Temperatursensor</b>                 | o      | o      | o       | o       | o       | o       | o       | o       | o       | o       |
| <b>Wasserdosiersystem</b>               | o      | o      | o       | o       | o       | o       | o       | o       | o       | o       |
| <b>Wiegeeinrichtung</b>                 | o      | o      | o       | o       | o       | o       | o       | o       | o       | o       |
| <b>“Easy Clean” Wellendichtungen</b>    | o      | o      | o       | o       | o       | -       | -       | -       | -       | -       |
|   | -      | -      | -       | -       | -       | -       | -       | -       | -       | -       |
| <b>Zusätzliches Gitter</b>              | -      | -      | -       | -       | -       | -       | -       | -       | -       | -       |
|   | o      | o      | o       | o       | o       | o       | o       | o       | o       | o       |
| <b>Wellen und Trog poliert</b>          | o      | o      | o       | o       | o       | o       | o       | o       | o       | o       |
| <b>Doppeljacke max. Druck 2,0 [bar]</b> | o      | o      | o       | o       | o       | o       | o       | o       | o       | o       |
| <b>Staubdichter Deckel</b>              | o      | o      | o       | o       | o       | o       | o       | o       | o       | o       |
|   | S      | S      | S       | S       | S       | S       | S       | S       | S       | S       |

# MIX S & MIX SV SERIEN SPEZIFICATION



## MIX S

## MIX SV

| MODELL DER MASCHINEN<br>[MIX] | 500 S  | 750 S  | 1000 S  | 1250 S  | 1600 S  | 2100 S  | 2600 S  | 3200 S  | 3800 S  | 4800 S  |
|-------------------------------|--------|--------|---------|---------|---------|---------|---------|---------|---------|---------|
|                               | 500 SV | 750 SV | 1000 SV | 1250 SV | 1600 SV | 2100 SV | 2600 SV | 3200 SV | 3800 SV | 4800 SV |
| H [cm]                        | 160    | 163    | 164     | 168     | 191     | 202     | 216     | 233     | 270     | 289     |
| H1 [cm]                       | 149    | 152    | 153     | 155     | 167     | 174     | 185     | 217     | 240     | 260     |
| H2 [cm]                       | 245    | 265    | 268     | 289     | 310     | 339     | 349     | 361     | 390     | 428     |
| H3 [cm]                       | 251    | 271    | 271     | 282     | 300     | 300     | 325     | 358     | 358     | 406     |
| L [cm]                        | 200    | 229    | 225     | 243     | 340     | 371     | 373     | 391     | 405     | 436     |
| A [cm]                        | 120    | 132    | 145     | 156     | 166     | 182     | 195     | 216     | 221     | 232     |
| A1 [cm]                       | 190    | 202    | 215     | 226     | 236     | 252     | 365     | 380     | 385     | 395     |