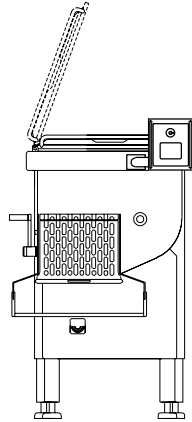




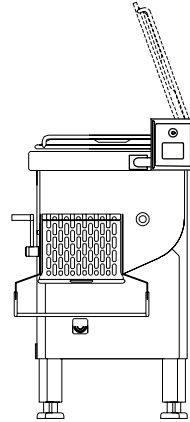
# STATIONARY MIXERS

MIX, MIX V, MIX S, MIX SV

**TYPE A**  
RIGHT-HAND SYSTEM

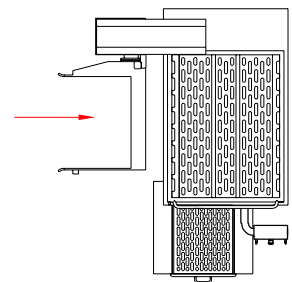
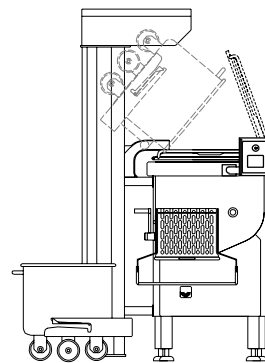
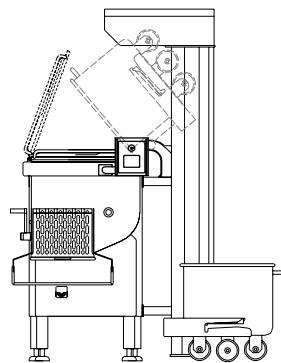
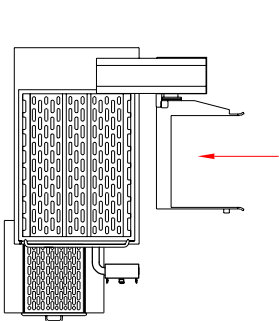


**TYPE B**  
LEFT-HAND SYSTEM



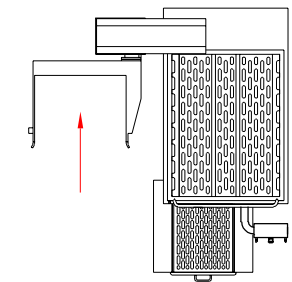
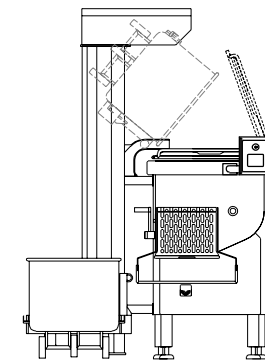
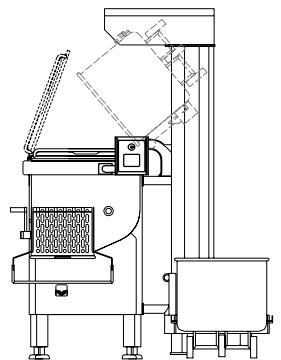
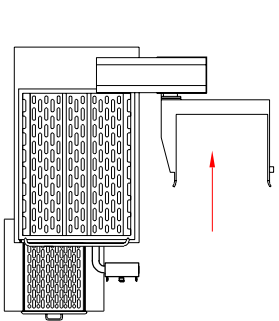
# STATIONARY MIXERS

MIX, MIX V, MIX S, MIX SV +  
COLUMN LOADER PZ 2/250 & PW 2/250



**TYPE A**  
RIGHT-HAND SYSTEM  
LOADER 90°

**TYPE B**  
LEFT-HAND SYSTEM  
LOADER 90°



**TYPE C**  
RIGHT-HAND SYSTEM

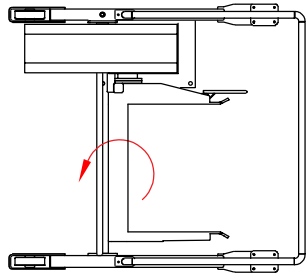
**TYPE D**  
LEFT-HAND SYSTEM



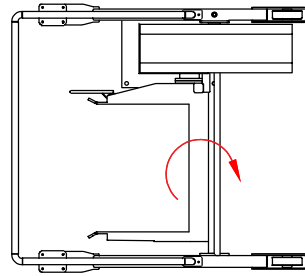
# COLUMN LOADERS

## PM 2/250 (MOVABLE VERSION)

**TYPE A**  
RIGHT-HAND SYSTEM



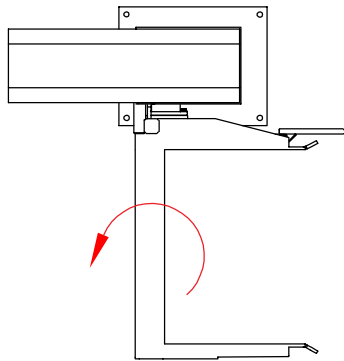
**TYPE B**  
LEFT-HAND SYSTEM



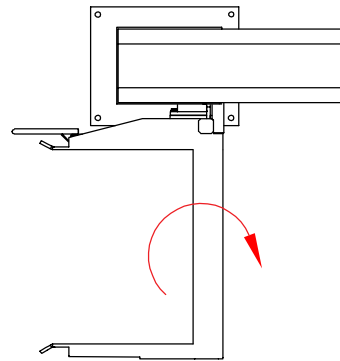
# COLUMN LOADERS

## PW 2/250 (FREE STANDING VERSION)

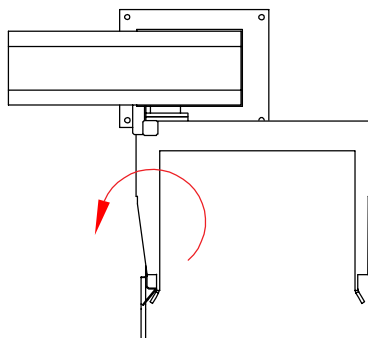
**TYPE A**  
COLUMN LOADER



**TYPE B**  
COLUMN LOADER



**TYPE C**  
COLUMN LOADER



**TYPE D**  
COLUMN LOADER

